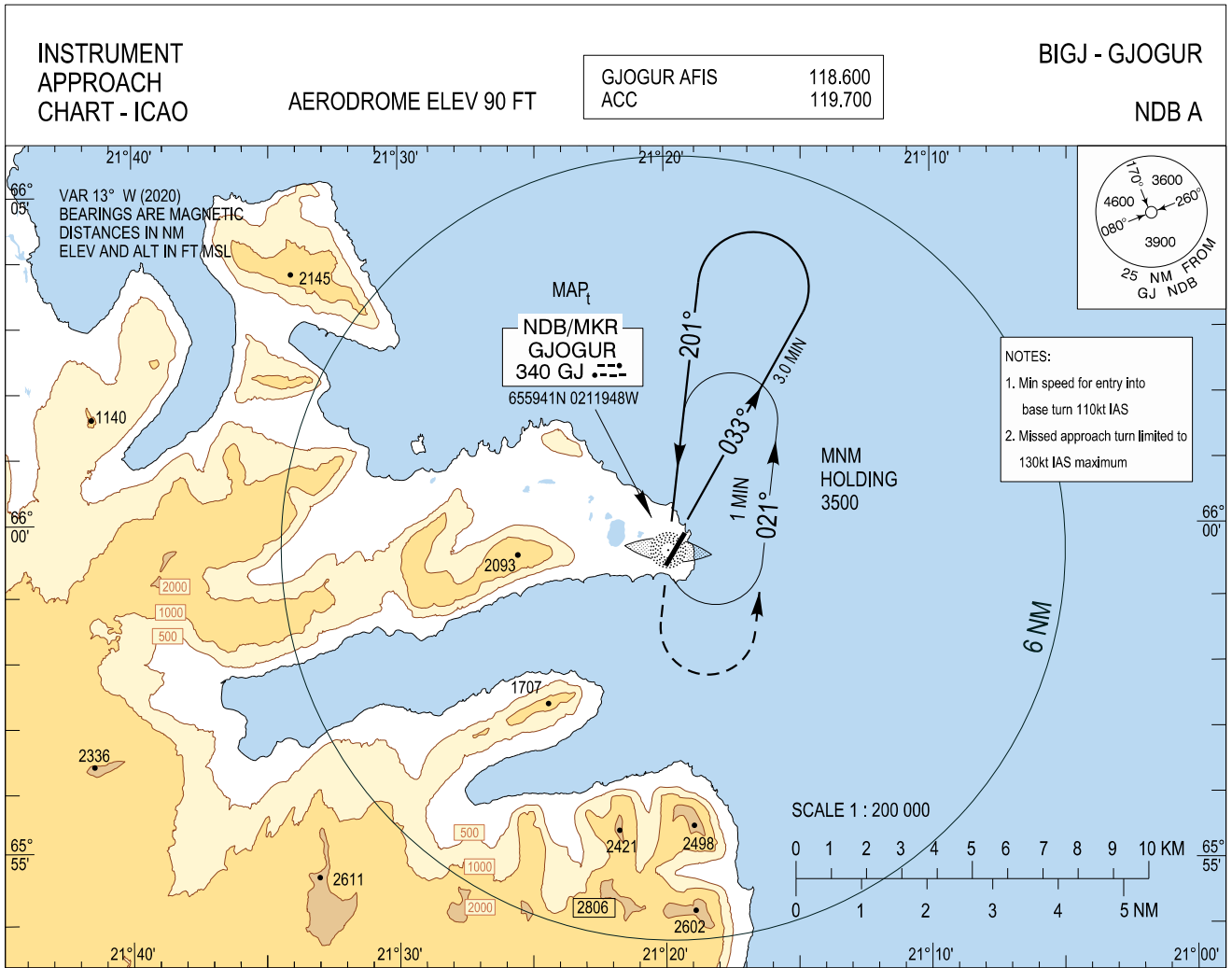


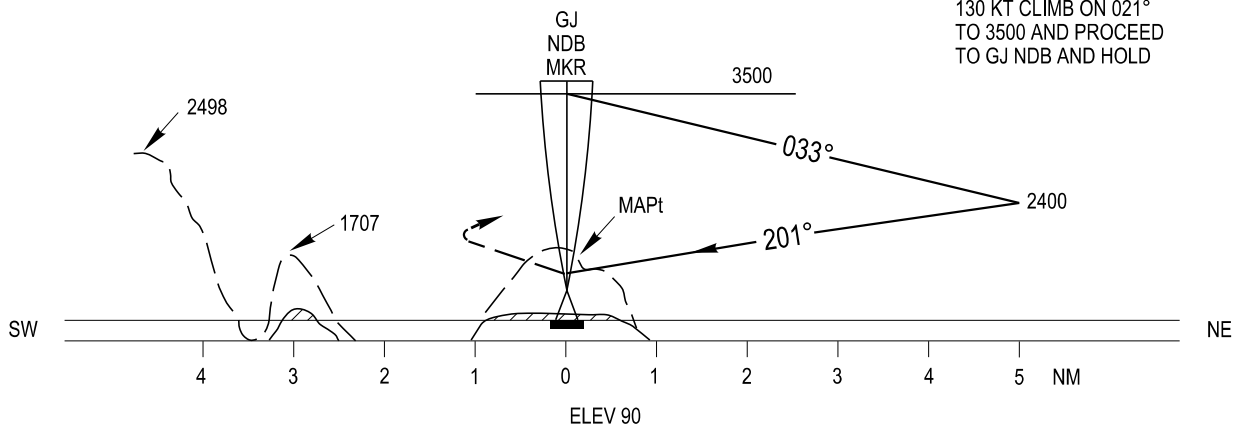
Gjogur NDB A Instrument Approach Chart - ICAO



CHANGES: BASE TURN, CAT B OCA(H), MSA, MAG VAR, TRK BRG's, EDITORIAL.

TRANSITON ALT 7000

MISSED APPROACH:
LEFT TURN AS SOON AS OPERATIONALLY PRACTICABLE MAX IAS 130 KT CLIMB ON 021° TO 3500 AND PROCEED TO GJ NDB AND HOLD



OCA (H)	A	B*	B	REMARKS
CIRCLING	510 (420)	590 (500)	1840 (1750)	CIRCLE ONLY EAST OF RWY * AUTH. REQUIRED 25° BANK WHEN CIRCLING

THIS PAGE INTENTIONALLY LEFT BLANK